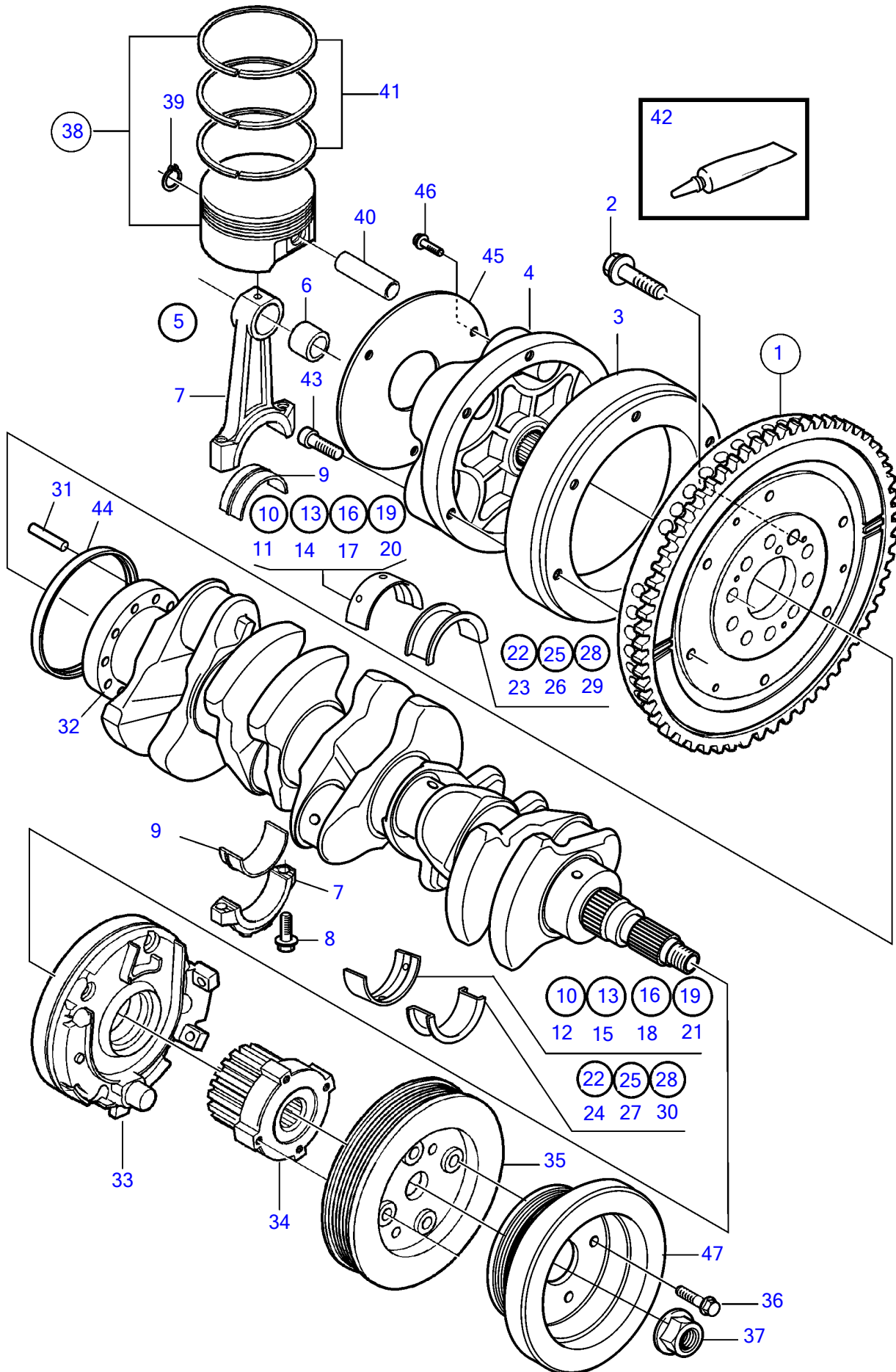


D3-110I-F, D3-150I-F, D3-170I-F, D3-200I-F, D3-220I-F



D3-110I-F, D3-150I-F, D3-170I-F, D3-200I-F, D3-220I-F

REF	PART NO.	QTY	DESCRIPTION	SEE SEC.	NOTES
1	21517500	1	Flywheel		
2	9454743	10	Screw		
3	21429352	1	Adapter ring		
4	21485410	1	Flexible coupling		
5	31258013	5	Connecting rod		
6		1	• Bushing		
7		1	• Connecting rod		
8	9497858	2	• Screw		
9	31251996	1	Big-end bearing kit		
10	31251378	5	Main bearing		Without flange, red, See Workshop Manual
11	31330321	5	• Main bearing		Red, Without flange, upper, See workshop Manual
12	30777951	5	• Main bearing		Red, Without flange, lower, See workshop Manual
13	31251379	5	Main bearing		Without flange, yellow, See Workshop Manual
14	31330322	5	• Main bearing		Yellow, Without flange, upper, See workshop Manual
15	30777952	5	• Main bearing		Yellow, Without flange, lower, See workshop Manual
16	31251380	5	Main bearing		Without flange, blue, See Workshop Manual
17	31330323	5	• Main bearing		Blue, Without flange, upper, See workshop Manual
18	30777953	5	• Main bearing		Blue, Without flange, lower, See workshop Manual
19	31251381	5	Main bearing		Without flange green, See Workshop Manual
20	31330324	5	• Main bearing		Green, Without flange, upper, See workshop Manual
21	30777954	5	• Main bearing		Green, Without flange, lower, See workshop Manual
22	31339144	1	Thrust bearing		With flange, red, See Workshop Manual
23	31316541	1	• Flange bearing		Red, With flange, upper, See workshop Manual
24	31316551	1	• Flange bearing		Red, With flange, lower, See workshop Manual
25	31339145	1	Thrust bearing		With flange, yellow, See Workshop Manual
26	31316542	1	• Flange bearing		Yellow, With flange, upper, See workshop Manual
27	31316552	1	• Flange bearing		Yellow, With flange, lower, See workshop Manual
28	31339146	1	Thrust bearing		With flange, blue, See Workshop Manual
29	31316543	1	• Flange bearing		Blue, With flange, upper, See workshop Manual
30	31316553	1	• Flange bearing		Blue, With flange, lower, See workshop Manual
31	973660	1	Spring pin		
32	31293424	1	Crankshaft		
33	30777092	1	Oil pump	36888	
34	30777171	1	Pulley		
35	31258122	1	Oscillation damper		
36	984755		Flange screw		
37	3531111	1	Nut		
38	21714074	1	Piston kit		
39	(30777225)	1	• Lock ring		Obsolete part
40		1	• Piston pin		
41	30750678	1	• Piston ring kit		
42	828250	1	Lubricating grease		
			• Bulletin P-18-4-6	P-18-4-6-EN	Water resistant grease for grease gun
43	959230	6	Hex. socket screw		
44	9458178	1	Sealing ring		
45	21752671	1	Plate		
			• Installation Instruction 47700624	47700624-EN	Rubber Roller Kit
46	965185	3	Flange screw		
47	21255747	1	Vibration damper		

7749500-21-36894

26723

Upd:2014-06-24